

**NOTES:**

**ELECTRICAL**

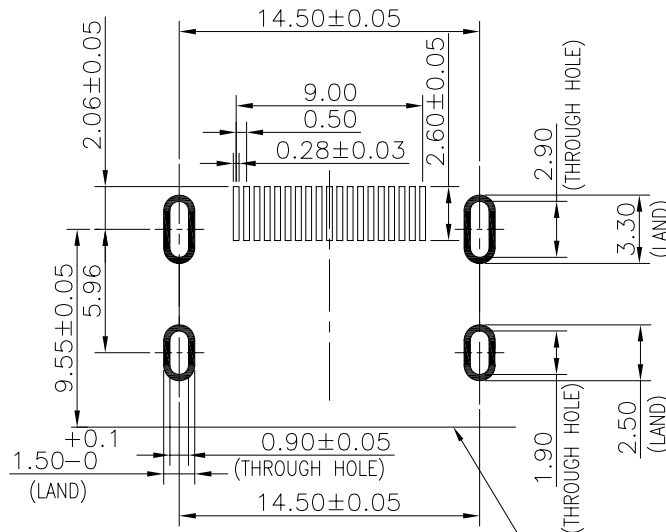
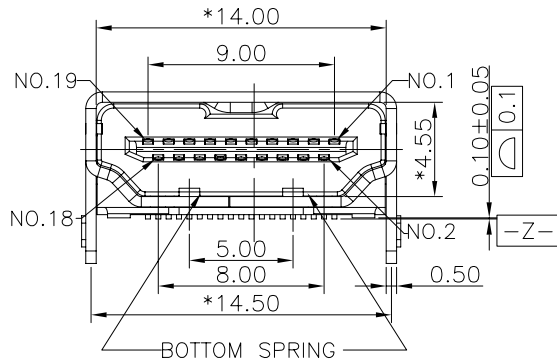
1. VOLTAGE RATING : 30 VDC RMS
2. CURRENT RATING : 0.5AMP MAX PER CONTACT
3. CONTACT RESISTANCE : 30 MILLIOHMS MAX.
4. INSULATION RESISTANCE : 1000 MEGOHMS MIN
5. WITHSTANDING VOLTAGE : 500 VAC RMS 60Hz , 1MIN
6. OPERATING LIFE : 10000 CYCLES MIN @ 500 VCD

**MECHANICAL :**

1. HOUSING MATERIAL : NYLON+30%G.F UL94V-0.COLOR:BLACK.
2. CONTACT MATERIAL : PHOSPHOR BRONZE 0.20mm THICKNESS
3. PLATING : 1: CONTACT AREA - SELECTIVE GOLD PLATING  
2: TAILS- 120U" MIN OVER NICKEL.
4. SHIELD MATERIAL : PHOSPHOR BRONZE 0.50mm THICKNESS
5. PLATING : PLATED NICKEL.

**ENVIRONMENTAL:**

1. STORAGE : -40°C TO +85°C
2. OPERATION : -40°C TO +85°C
3. IR REFLOW PEAK SOLDERING TEMPERATURE:  
255°C TO 265°C (5-10 SECONDS).
4. RoHS COMPLIANT.
5. FRE OLD DRAWING NUMBER:GE813024-LA.



PCB Layout Component Side Shown

MM (INCH)	
TOLERANCES EXCEPT AS NOTED	
MM	
.0 ± 0.2	±
.00 ± 0.15	±
.000 ± 0.075	±
ANGLES ± 0.5	
THIRD ANGLE PROJECTION	

<b>RoHS Compliant</b>			
TITLE HDMI CONNECTOR WITHOUT PANEL A TYPE			
DFTO Yumei	DRAWING NO. CE810K-SB0G1X-L	SIZE	REV
DATE 02/14/2007	/PART NO. E810K-SB0G1X-L	A3	0
SCALE : 2.5:1	DO NOT SCALE DRAWING	SHEET 1	OF 1

The drawing Can Only Supply To Customer